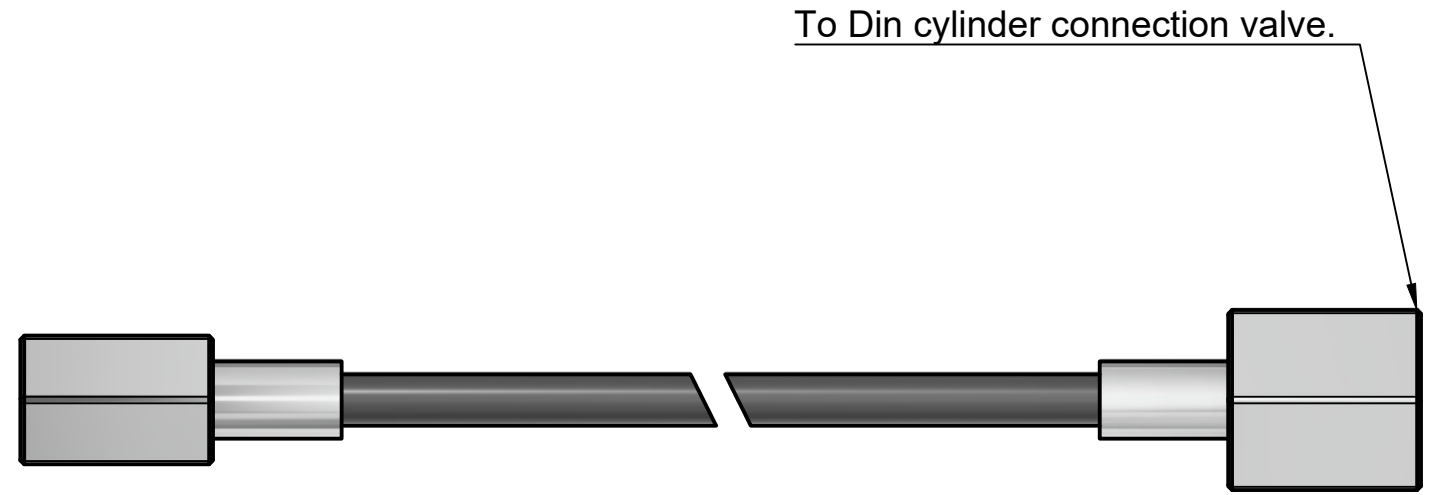
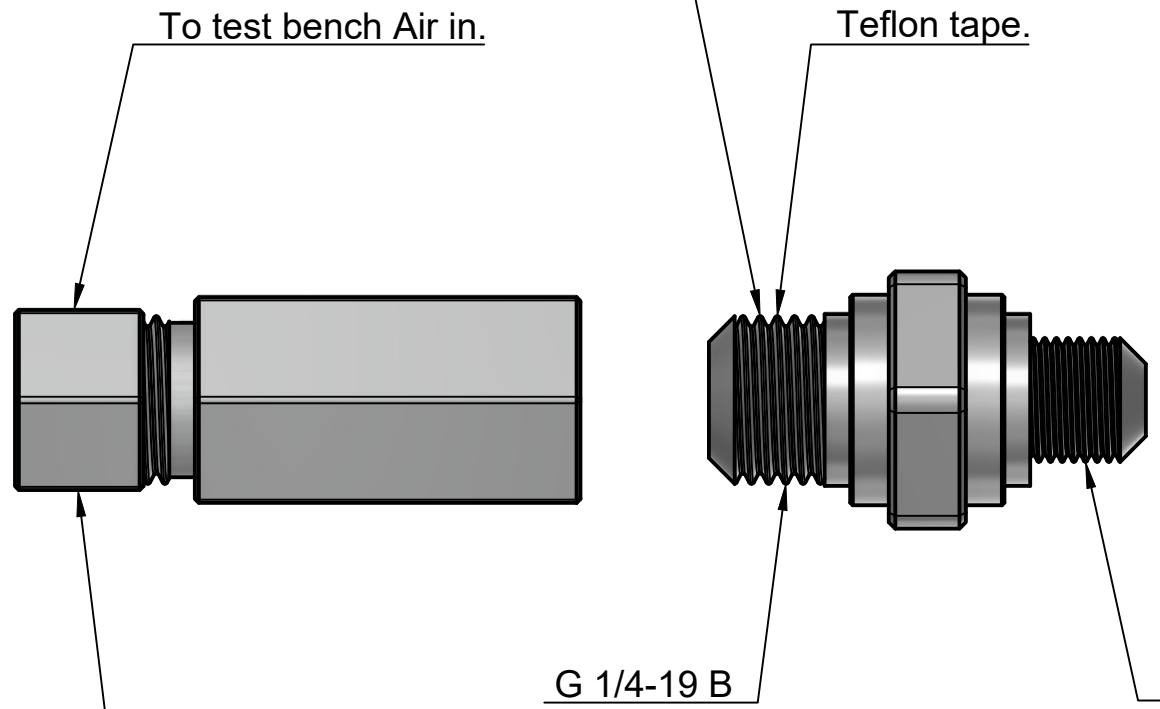


DIN cylinder connection kit.
7000-SST-045



OPTION 1
Use this connector if you connect the
DIN cylinder connection kit to a bench
mount.



OPTION 2
Use this connector if you connect the
DIN cylinder connection kit to a test bench.

Dept.	Technical reference Conn diagram	Created by Ramon Kaspers 08/01/2024	Approved by
		Document type	Document status
		Title DIN cylinder. connection kit	DWG No. 7000-SST-045
Rev.	Date of issue	Sheet	1/1